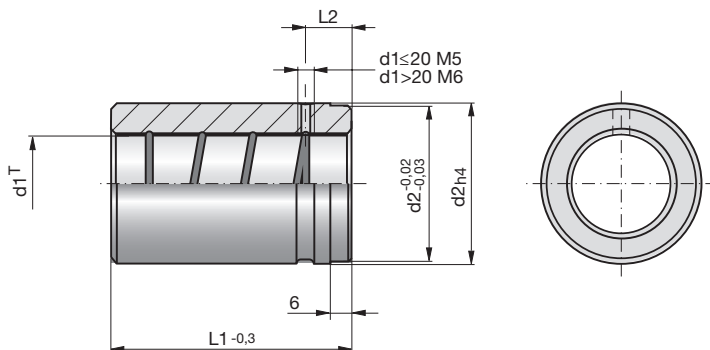
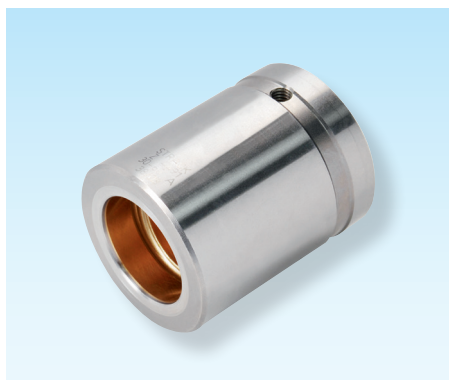


1

Gleitführungsbuchsen

Guide bushes

Bagues pour guidage lisse

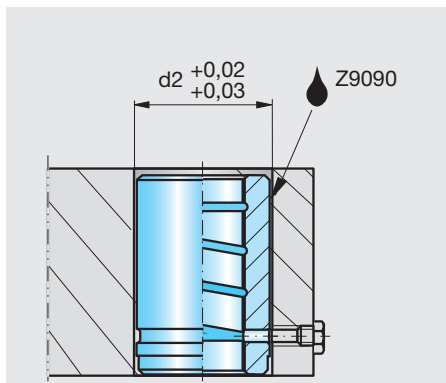


Z4491-

Mat.: ST
52±2HRC+CuSn12
~DIN 9831-1/ISO 9448



Z4491-d1-L1-T



a) siehe Seite Info 1.158
see page Info 1.164
voir page Info 1.170
T = B ≙ Standard

d1	L1	T ^{a)}	d2	L2	d1	L1	T ^{a)}	d2	L2
10/12	23	A/B/C	22	8	30/32	77	A/B/C	48	12
	30	A/B/C	22	8		95	A/B/C	48	12
	37	A/B/C	22	8		38/40	30	A/B/C	58
15/16	23	A/B/C	28	10	37		A/B/C	58	12
	30	A/B/C	28	10	47		A/B/C	58	12
	37	A/B/C	28	10	60		A/B/C	58	12
	47	A/B/C	28	10	77		A/B/C	58	12
19/20	60	A/B/C	28	10	95		A/B/C	58	12
	23	A/B/C	32	12	120	A/B/C	58	12	
	30	A/B/C	32	12	48/50	37	A/B/C	70	15
	37	A/B/C	32	12		47	A/B/C	70	15
	47	A/B/C	32	12		60	A/B/C	70	15
60	A/B/C	32	12	77		A/B/C	70	15	
77	A/B/C	32	12	95		A/B/C	70	15	
24/25	23	A/B/C	40	12	120	A/B/C	70	15	
	30	A/B/C	40	12	60/63	60	A/B/C	85	15
	37	A/B/C	40	12		77	A/B/C	85	15
	47	A/B/C	40	12		95	A/B/C	85	15
	60	A/B/C	40	12		120	A/B/C	85	15
77	A/B/C	40	12	80		120	A/B/C	105	15
30/32	30	A/B/C	48		12	135	A/B/C	105	15
	37	A/B/C	48		12				
	47	A/B/C	48		12				
	60	A/B/C	48	12					