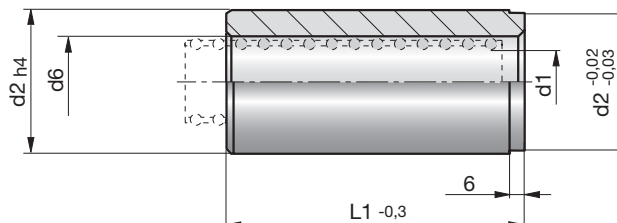
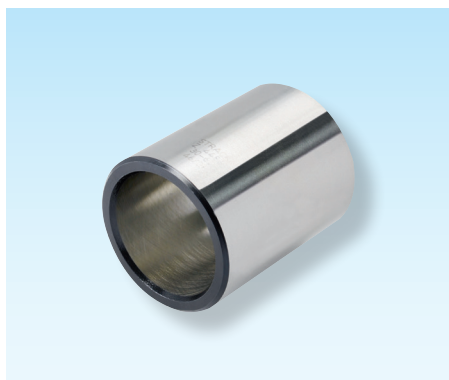


### Wälzführungsbuchsen

### Antifriction slideway bushes

### Bagues de guidage à billes

1

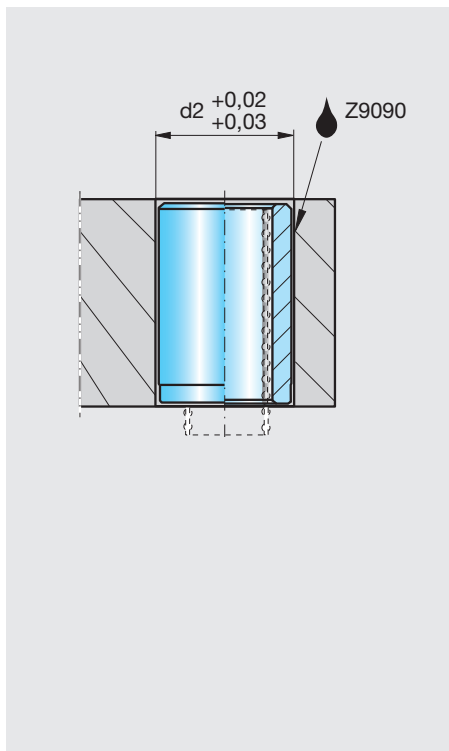


**Z4486-**

Mat.: ST  
63±2HRC  
~DIN9831/ISO 9448



Z4486-d1-L1



| d1    | L1 | d6    | d2 | d1    | L1    | d6    | d2 |
|-------|----|-------|----|-------|-------|-------|----|
| 10/12 | 23 | 15/17 | 22 | 30/32 | 47    | 38/40 | 48 |
|       | 30 | 15/17 | 22 |       | 60    | 38/40 | 48 |
|       | 37 | 15/17 | 22 |       | 77    | 38/40 | 48 |
| 15/16 | 23 | 21/22 | 28 | 38/40 | 95    | 38/40 | 48 |
|       | 30 | 21/22 | 28 |       | 30    | 46/48 | 58 |
|       | 37 | 21/22 | 28 |       | 37    | 46/48 | 58 |
|       | 47 | 21/22 | 28 |       | 47    | 46/48 | 58 |
| 19/20 | 60 | 21/22 | 28 | 48/50 | 60    | 46/48 | 58 |
|       | 23 | 25/26 | 32 |       | 77    | 46/48 | 58 |
|       | 30 | 25/26 | 32 |       | 95    | 46/48 | 58 |
|       | 37 | 25/26 | 32 |       | 120   | 46/48 | 58 |
|       | 47 | 25/26 | 32 |       | 37    | 56/58 | 70 |
|       | 60 | 25/26 | 32 |       | 47    | 56/58 | 70 |
| 24/25 | 77 | 25/26 | 32 | 60/63 | 60    | 56/58 | 70 |
|       | 23 | 30/31 | 40 |       | 77    | 56/58 | 70 |
|       | 30 | 30/31 | 40 |       | 95    | 56/58 | 70 |
|       | 37 | 30/31 | 40 |       | 120   | 56/58 | 70 |
|       | 47 | 30/31 | 40 |       | 60    | 70/73 | 85 |
| 30/32 | 60 | 30/31 | 40 | 77    | 70/73 | 85    |    |
|       | 77 | 30/31 | 40 | 95    | 70/73 | 85    |    |
|       | 30 | 38/40 | 48 | 120   | 70/73 | 85    |    |
|       | 37 | 38/40 | 48 |       |       |       |    |
|       |    |       |    |       |       |       |    |