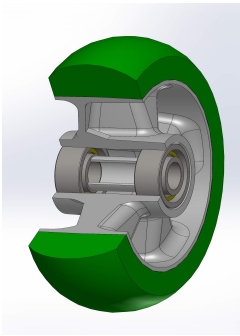


SERIE 62ER



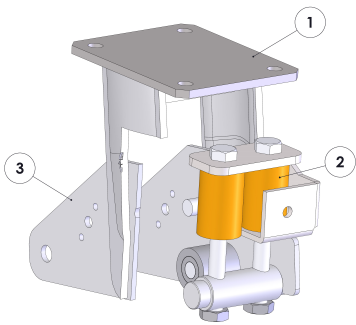
“TR-ROLL” POLYURETHANE WHEELS WITH ERGONOMIC ROUND PROFILE, ALUMINIUM CENTRE, FIXED ELECTROWELDED SPRUNG-LOADED BRACKET TYPE EES MHD

Wheel description



Tread: TR-ROLL polyurethane with ergonomic round profile, hardness 75 Shore A.
Centre: made of cast aluminium
Hub: the housing is obtained by moulding and contains ball bearings series Z

Bracket description



Electrowelded sprung-loaded bracket EES MHD-max loading capacity 1000 daN (damping up to 400 daN)

- 1) Electrolytically galvanised top plate with deep-drawn legs electrowelded to the flange
- 2) Polyurethane springs
- 3) Internal moving fork: deep-drawn legs electrowelded to the tube