

Bend 45°

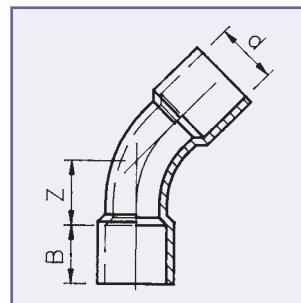
Bocht 45°

Bogen 45°

Courbe 45°

Curva 45°

Curva 45°



32-50 mm R = 1.8d
63-315 mm R = 1.5d

| Art.code | d | Z | (= max. tol. +15%) B | PN | Quantity |
|----------|-----|-----|----------------------|------|----------|
| 1.15.032 | 32 | 26 | 25 | 10 | 300 |
| 1.16.032 | 32 | 26 | 25 | 16 | 350 |
| 1.15.040 | 40 | 36 | 30 | 10 | 150 |
| 1.16.040 | 40 | 36 | 30 | 16 | 150 |
| 1.15.050 | 50 | 40 | 35 | 10 | 150 |
| 1.16.050 | 50 | 40 | 35 | 16 | 125 |
| 1.15.063 | 63 | 46 | 43 | 10 | 90 |
| 1.16.063 | 63 | 46 | 43 | 16 | 60 |
| 1.15.075 | 75 | 54 | 51 | 10 | 50 |
| 1.16.075 | 75 | 54 | 51 | 16 | 40 |
| 1.15.090 | 90 | 63 | 58 | 10 | 30 |
| 1.16.090 | 90 | 63 | 58 | 16 | 20 |
| 1.15.110 | 110 | 80 | 70 | 12.5 | 15 |
| 1.15.125 | 125 | 89 | 79 | 12.5 | 10 |
| 1.15.140 | 140 | 98 | 87 | 12.5 | 7 |
| 1.15.160 | 160 | 119 | 99 | 12.5 | 5 |
| 1.15.200 | 200 | 143 | 122 | 12.5 | 1 |
| 1.15.225 | 225 | 166 | 137 | 12.5 | 1 |
| 1.15.250 | 250 | 170 | 151 | 12.5 | 1 |
| 1.15.280 | 280 | 214 | 168 | 12.5 | 1 |
| 1.15.315 | 315 | 236 | 188 | 12.5 | 1 |

Bend 30°

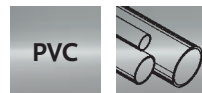
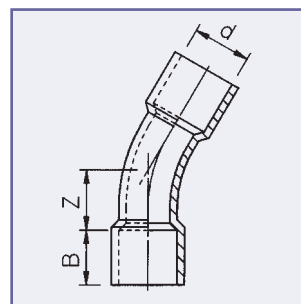
Bocht 30°

Bogen 30°

Courbe 30°

Curva 30°

Curva 30°



R = 2.5d

| Art.code | d | Z | (= max. tol. +15%) B | PN | Quantity |
|-----------------|-----------|-----------|----------------------|-----------|-----------|
| 1.17.063 | 63 | 48 | 43 | 10 | 90 |
| 1.17.090 | 90 | 65 | 58 | 10 | 30 |
| 1.17.110 | 110 | 79 | 70 | 12.5 | 15 |
| 1.17.125 | 125 | 92 | 79 | 12.5 | 10 |
| 1.17.140 | 140 | 106 | 87 | 12.5 | 7 |
| 1.17.160 | 160 | 122 | 99 | 12.5 | 5 |
| 1.17.200 | 200 | 147 | 122 | 12.5 | 1 |
| 1.17.225 | 225 | 155 | 137 | 12.5 | 1 |
| 1.17.250 | 250 | 195 | 151 | 12.5 | 1 |
| 1.17.280 | 280 | 213 | 168 | 12.5 | 1 |
| 1.17.315 | 315 | 240 | 188 | 12.5 | 1 |