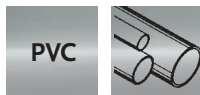
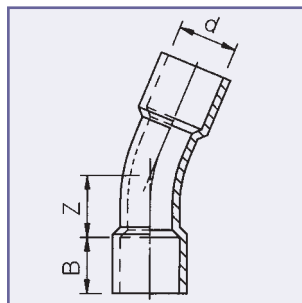


## Bend 22.5°

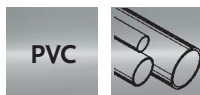
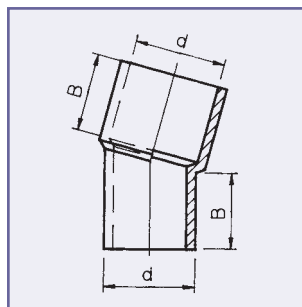
Bocht 22.5°  
 Bogen 22.5°  
 Courbe 22.5°  
 Curva 22.5°  
 Curva 22.5°



Art.code	d	Z	(= max. tol. +15%) B	PN	Quantity
1.19.090	90	48	58	10	30
1.19.110	110	64	70	12.5	15
1.19.125	125	75	79	12.5	10
1.19.140	140	81	87	12.5	7
1.19.160	160	92	99	12.5	5
1.19.200	200	127	122	12.5	1

## Bend 15°

Bocht 15°  
 Bogen 15°  
 Courbe 15°  
 Curva 15°  
 Curva 15°

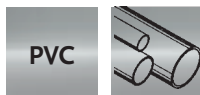
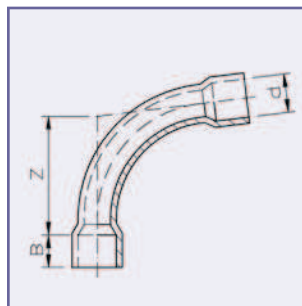


Art.code	d		(= max. tol. +15%) B	PN	Quantity
1.18.090	90		51	12.5	30
1.18.110	110		61	12.5	18
1.18.125	125		69	12.5	20
1.18.140	140		76	12.5	10
1.18.160	160		86	12.5	6
1.18.200	200		106	12.5	2
1.18.225	225		119	12.5	1
1.18.250	250		131	12.5	1
1.18.280	280		141	12.5	1
1.18.315	315		164	12.5	1

## 4-D Radius Bend 83°(97°)

4-D Radius Bocht 83°(97°)  
 4-D Radius Bogen 83°(97°)  
 4-D Rayon Courbe 83°(97°)  
 4-D Raggio Curva 83°(97°)  
 4-D Radio Curva 83°(97°)

$R = 4d$



Art.code	d	Z	(= max. tol. +15%) B	PN	Quantity
1.02.063	63	227	50	10	30