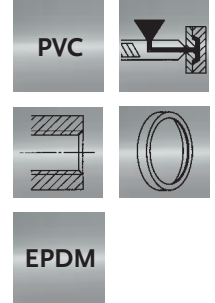
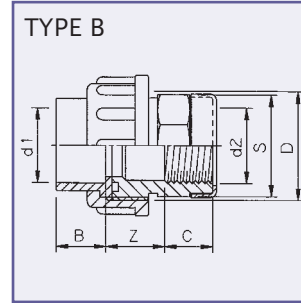
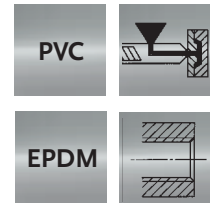
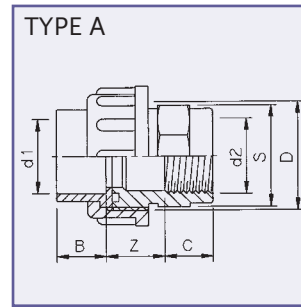


Adaptor union

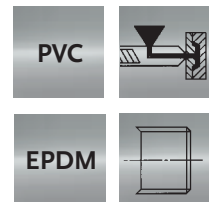
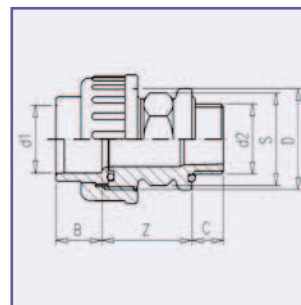
Spuitgietkoppeling
 Verschraubung
 Raccord union
 Bocchettone
 Enlace de unión



Art.code	d1	d2	Z	B	C	D	S	Type	PN	Quantity
3.65.010	10	1/4" (F)	22	12	12	5/8"	23	A	16	100
3.65.012	12	1/4" (F)	22	12	12	5/8"	23	A	16	100
3.65.016	16	3/8" (F)	25	14	12	3/4"	25	A	10	100
3.65.017	16	3/8" (F)	25	14	12	3/4"	25	B	16	100
3.65.020	20	1/2" (F)	25	16	16	1"	30	A	10	100
3.65.021	20	1/2" (F)	25	16	16	1"	30	B	16	100
3.65.025	25	3/4" (F)	25	19	17	1 1/4"	36	A	10	60
3.65.026	25	3/4" (F)	25	19	17	1 1/4"	36	B	16	60
3.65.032	32	1" (F)	25	22	21	1 1/2"	44	A	10	100
3.65.033	32	1" (F)	25	22	21	1 1/2"	44	B	16	100
3.65.040	40	1 1/4" (F)	26	26	23	2"	54	A	10	80
3.65.041	40	1 1/4" (F)	26	26	23	2"	54	B	16	80
3.65.050	50	1 1/2" (F)	31	31	23	2 1/4"	64	A	10	60
3.65.051	50	1 1/2" (F)	31	31	23	2 1/4"	64	B	16	60
3.65.063	63	2" (F)	31	38	27	2 3/4"	80	A	10	45
3.65.064	63	2" (F)	31	38	27	2 3/4"	80	B	16	45
3.65.075	75	2 1/2" (F)	41	44	30	ZGTD	94	B	10	10
3.65.090	90	3" (F)	51	51	34	ZGTD	114	B	10	10
3.65.110	110	4" (F)	55	61	41	ZGTD	138	B	10	10

Adaptor union with O-ring

Koppeling met O-ring (zwembadkoppeling)
 Verschraubung mit O-Ring
 Raccord union avec joint torique
 Bocchettone a O-ring
 Enlace de unión con junta torica



Art.code	d1	d2	Z	B	C	D	S	PN	Quantity
3.68.018	16	3/8"(M)	36.5	14	10	3/4"	25	10	50
3.68.022	20	1/2"(M)	40	16	10	1"	28	10	50
3.68.027	25	3/4"(M)	42	19	12	1 1/4"	32	10	60
3.68.034	32	1"(M)	43	22	15	1 1/2"	38	10	100
3.68.042	40	1 1/4"(M)	48	26	15	2"	46	10	50
3.68.052	50	1 1/2"(M)	53.5	31	18	2 1/4"	55	10	50
3.68.053	50	2"(M)	53.5	31	23.5	2 1/4"	55	10	25
3.68.065	63	2"(M)	54.5	38	23.5	2 3/4"	65	10	25