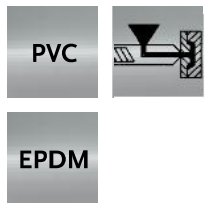
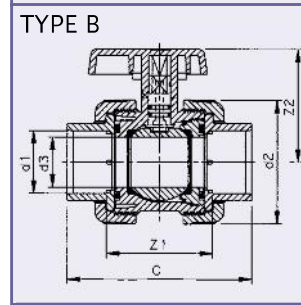
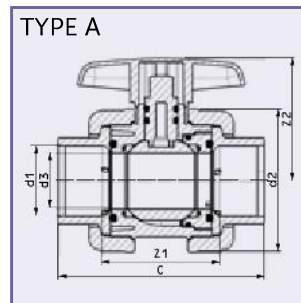


Ball valve type: Dil

Kogelkraan type: Dil
 Kugel Hahn Type: Dil
 Vanne à boisseau type: Dil
 Valvola a sfera tipo: Dil
 Válvula de bola tipo: Dil

Flush out secured.
 Uitstroom beveiligd.
 Die kugel ist gesichert gegen herauspülen.
 Logement du boisseau sécurisé.
 Componenti interni della valvola bloccati.
 Bola y juntas aseguradas contra arresre.



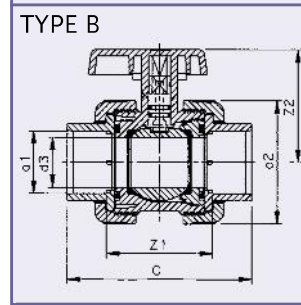
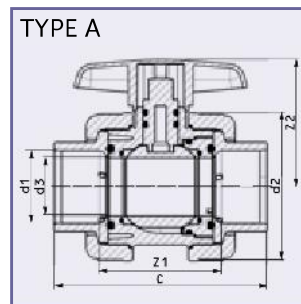
PVC-u metric

Art.code	d1	d2	d3	Z1	Z2	C	DN	PN	Type	Quantity
6.15.016	16	59	15	50.0	50	84	10	16	A	50
6.15.020	20	59	15	50.0	50	84	15	16	A	50
6.15.025	25	64	20	54.0	55	93	20	16	A	50
6.15.032	32	73	25	63.0	65	108	25	16	A	50
6.15.040	40	86	32	69.0	75	122	32	16	A	25
6.15.050	50	102	40	85.5	90	148	40	16	A	15
6.15.063	63	124	50	103.0	103	175	50	16	A	10
6.15.075	75	151	63	128.0	123	216	65	10	B	5
6.15.090	90	178.5	75	154.0	143	256	80	10	B	3
6.15.110	110	215.5	90	184.0	161	306	100	10	B	1

Ball valve type: Dil

Kogelkraan type: Dil
 Kugel Hahn Type: Dil
 Vanne à boisseau type: Dil
 Valvola a sfera tipo: Dil
 Válvula de bola tipo: Dil

Flush out secured.
 Uitstroom beveiligd.
 Die kugel ist gesichert gegen herauspülen.
 Logement du boisseau sécurisé.
 Componenti interni della valvola bloccati.
 Bola y juntas aseguradas contra arresre.



Art.code	d1	d2	d3	Z1	Z2	C	DN	PN	Type	Quantity
6.16.016	16	59	15	50.0	50	84	10	16	A	50
6.16.020	20	59	15	50.0	50	84	15	16	A	50
6.16.025	25	64	20	54.0	55	93	20	16	A	50
6.16.032	32	73	25	63.0	65	108	25	16	A	50
6.16.040	40	86	32	69.0	75	122	32	16	A	25
6.16.050	50	102	40	85.5	90	148	40	16	A	15
6.16.063	63	124	50	103.0	103	175	50	16	A	10
6.16.075	75	151	63	128.0	123	216	65	10	B	5
6.16.090	90	178.5	75	154.0	143	256	80	10	B	3
6.16.110	110	215.5	90	184.0	161	306	100	10	B	1