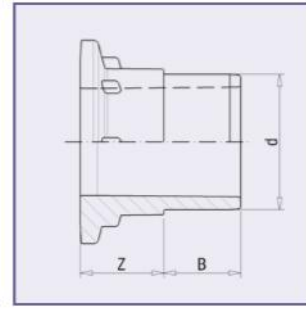


Collar male spigot (option)

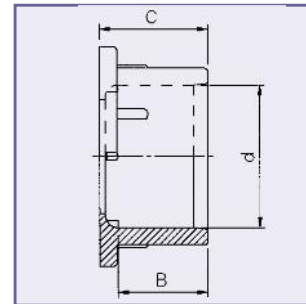
Inlegstuk uitwendig lijm
 Bundbuchse Klebestutzen
 Collet à coller male
 Collare maschio
 Portabrida encolar macho



Art.code	d	Z	B	DN	Quantity
6.25.050	50	33	31	40	1
6.25.063	63	39	38	50	1

Collar solvent socket (parts)

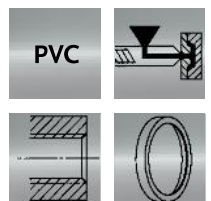
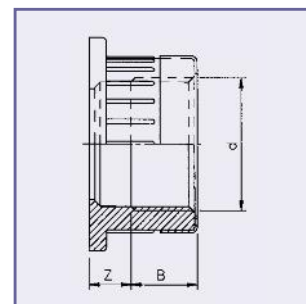
Inlegstuk inwendig lijm
 Bundbuchse Klebemuffe
 Collet à coller femelle
 Collare a attacchi incollaggio
 Portabrida encolar



Art.code	d	Z	B	DN	Quantity
6.26.016	16	14	20.5	10	50
6.26.020	20	16	20.5	15	50
6.26.025	25	19	23.5	20	50
6.26.032	32	22	27.5	25	50
6.26.040	40	26	32.0	32	25
6.26.050	50	31	38.0	40	20
6.26.063	63	38	49.0	50	20
6.26.075	75	44	54.5	65	10
6.26.090	90	51	63.0	80	10
6.26.110	110	61	76.5	100	10

Collar female threaded (option)

Inlegstuk inwendig draad
 Bundbuchse Innengewinde
 Collet taraudé
 Collare attacchi filetatti femmina
 Portabrida encolar rosca hembra



Art.code	d	Z	B	DN	Quantity
6.30.016	3/8" (F)	13	20.5	10	50
6.30.020	1/2" (F)	17	20.5	15	50
6.30.025	3/4" (F)	19	23.5	20	50
6.30.032	1" (F)	21	27.5	25	50
6.30.040	1 1/4" (F)	21	32.0	32	25
6.30.050	1 1/2" (F)	29	38.0	40	20
6.30.063	2" (F)	32	49.0	50	20
6.30.075	2 1/2" (F)	36	54.5	65	10
6.30.090	3" (F)	39	63.0	80	10
6.30.110	4" (F)	46	76.5	100	10