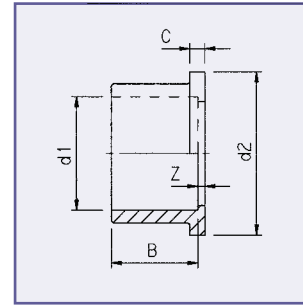
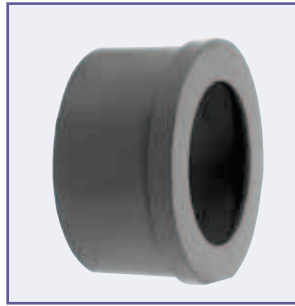


## Collar (parts)

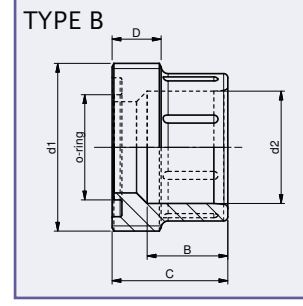
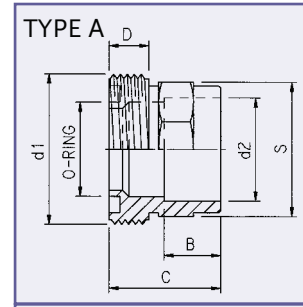
Inlegstuk  
 Bundbuchse  
 Collet  
 Collare  
 Portabrida



Art.code	d1	d2	Z	B	C	Quantity
8.25.010	10	5/8"	3	12	4	50
8.25.012	12	5/8"	3	12	4	50
8.25.016	16	3/4"	4	14	5	50
8.25.020	20	1"	4	16	5	50
8.25.025	25	1 1/4"	4	19	6	50
8.25.032	32	1 1/2"	4	22	6	50
8.25.040	40	2"	4	26	7	25
8.25.050	50	2 1/4"	4	31	7	25
8.25.063	63	2 3/4"	4	38	8	25
8.25.075	75	ZGTD	5	44	9	10
8.25.090	90	ZGTD	7	51	10	5
8.25.110	110	ZGTD	7	61	12	5

## Adapter nipple (parts)

Draadeind  
 Gewindestück  
 Collet d'union fileté  
 Adattore a filetto  
 Nipple adaptador



Art.code	d1	d2	B	C	D	S	O-ring	Type	Quantity
8.22.010	5/8" (M)	10	12	31	10	23	12.37x2.62	A	50
8.22.012	5/8" (M)	12	12	31	10	23	12.37x2.62	A	50
8.22.016	3/4" (M)	16	14	33	11	25	15.55x2.62	A	50
8.22.019	1" (M)	20	16	37	12	30	20.22x3.53	B	50
8.22.020	1" (M)	20	16	26	12	-	20.22x3.53	A	50
8.22.024	1 1/4" (M)	25	19	29	12	-	28.17x3.53	B	50
8.22.025	1 1/4" (M)	25	19	38	12	36	28.17x3.53	A	50
8.22.031	1 1/2" (M)	32	22	33	14	-	32.92x3.53	B	50
8.22.032	1 1/2" (M)	32	22	42	14	44	32.92x3.53	A	50
8.22.039	2" (M)	40	26	39	16	-	40.64x5.33	B	50
8.22.040	2" (M)	40	26	45	16	54	40.64x5.33	A	25
8.22.049	2 1/4" (M)	50	31	46	18	-	46.99x5.33	B	25
8.22.050	2 1/4" (M)	50	31	50	18	64	46.99x5.33	A	25
8.22.062	2 3/4" (M)	63	38	56	20	-	59.69x5.33	B	25
8.22.063	2 3/4" (M)	63	38	54	20	80	59.69x5.33	A	25
8.22.075	ZGTD	75	44	66	30	94	78.74x5.33	A	10
8.22.090	ZGTD	90	51	77	35	114	97.79x5.33	A	5
8.22.110	ZGTD	110	61	89	40	138	117.5x5.33	A	5