

## Male stud elbows

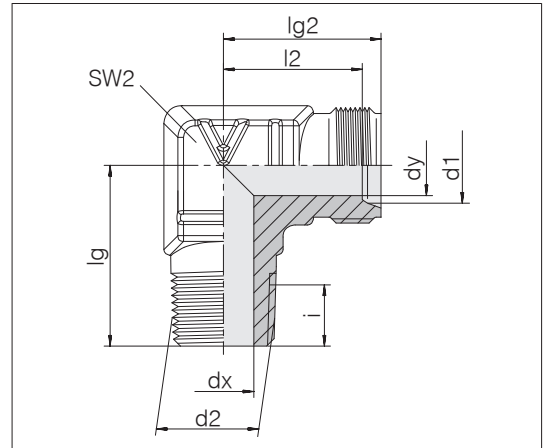
Male thread: NPT thread, tapered

Threaded stud: ASME B1.20.1

Sealing type: Tapered thread

Sealing material: e.g. PTFE sealing tape

Tube coupling: VOSS *Lok*<sup>40</sup>



Tube OD d1	d2 NPT	dx	dy	lg	lg2	l2 ca.	SW2	i ca.	kg/100 ca.	Order-No.	Designation
6	1/8 NPT	4.5	4.5	20.2	20.8	18.2	12	6.9	2.8	7005078800	40-SDE-6-N1/8T-SST
8	1/4 NPT	6.5	6.5	26.4	21.8	19.1	14	10	4.3	7005078900	40-SDE-8-N1/4T-SST
10	1/4 NPT	6.5	8	28.4	23.8	20.8	17	10	6.6	7005079000	40-SDE-10-N1/4T-SST
12	3/8 NPT	9.5	9.5	31.5	27.3	24.2	19	10.3	9.5	7005079100	40-SDE-12-N3/8T-SST
14	1/2 NPT	11.5	11.5	39.1	30.3	27.1	22	13.6	15.5	7005079200	40-SDE-14-N1/2T-SST
15	1/2 NPT	12	12	39.1	30.3	27	22	13.6	14.9	7005079300	40-SDE-15-N1/2T-SST
16	1/2 NPT	12	13	39.1	30.3	26.8	22	13.6	14.4	7005079400	40-SDE-16-N1/2T-SST
18	1/2 NPT	12	15	40.9	32.6	29	27	13.6	22.2	7005079500	40-SDE-18-N1/2T-SST
20	3/4 NPT	16	16	42.6	34	30.3	30	14.1	26.2	7005079600	40-SDE-20-N3/4T-SST
22	3/4 NPT	16	18	42.6	34	30	30	14.1	28.1	7005079700	40-SDE-22-N3/4T-SST

The screw depth  $i$  is subject to tolerance-related deviations.