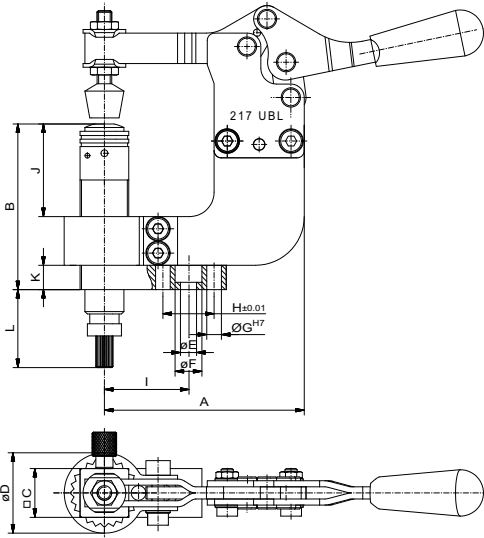


Clamp unit with ratchet grip

spacing 15°, for toggle clamp, with meisterbock screw



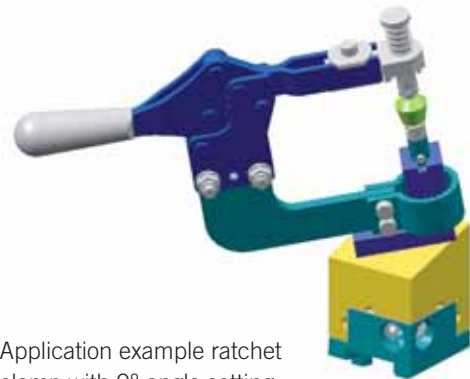
Nr.	A	B	C	D	E	F	G	H	I	J	K	L	pressure fork #	📄	
282033	82	68	20	33	6,6	11	6	21	34,7	10	38	32	./.	↓	200
282034	112	68	20	33	6,6	11	6	21	34,7	10	38	32	./.	↓	200
282035	112	68	20	33	6,6	11	6	21	34,7	10	38	32	357582	↙	220
282036	112	68	20	33	6,6	11	6	21	34,7	10	38	32	357578	↘	230



Application example ratchet clamp with machined surface contact, black



Application example ratchet clamp with 165° angle setting



Application example ratchet clamp with 0° angle setting