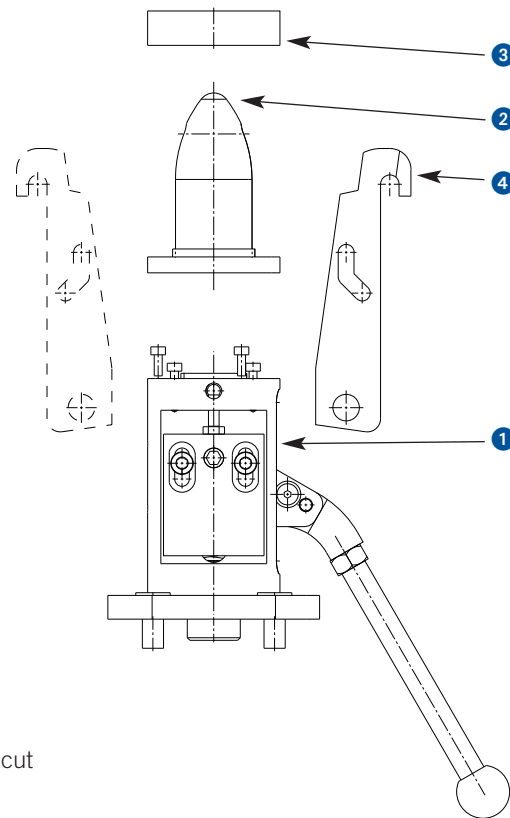


## ALUFIX Hook Clamps

Hook clamps are used when workpieces with a hole (especially on the inside of a workpiece, where it is difficult to clamp conventionally) have to be positioned and clamped simultaneously. They are usually connected by means of a contour block but they can be mounted directly to Alufix.



### How to order:

Hook clamps are individually manufactured for every hole or press cut and comprise of four parts:

- ① Basic unit
- ② Top pin
- ③ Support ring
- ④ Hook (optional two hooks)

When ordering a hook clamp please attach a 1:1 section drawing of the support with details of the center pin diameter and the shape of the bore (round or oval). Further we need details of clearance behind the hole, metal thickness, collar height and direction in which part has been stamped

When ordering basic unit please also state required hook size  
See also our download inquiry form under [www.alufix.de/downloads](http://www.alufix.de/downloads)